

# KOMATSU®

## PC138US-2

NET HORSEPOWER  
66 kW 88 HP @ 2.200 rpm

OPERATING WEIGHT  
13.480 - 14.880 kg

BUCKET CAPACITY  
max. 0,72 m<sup>3</sup>

PC  
138

Hydraulic Excavator



PC138US-2

# WALK-AROUND

**Working in congested or confined areas can be a challenge. Komatsu's PC138US-2 Series Hydraulic Excavators have a short tail swing profile, designed specifically for work in confined areas.** By reducing tail swing, the PC138US-2 can work in areas where conventional profile excavators would pose a safety risk. Perfect for work on roadways, bridge work, urban areas, or anywhere space is limited, the PC138US-2 provides you with performance and productivity you expect from Komatsu equipment.

## Larger cab

- Komatsu's low noise design cab is a fully pressed high-rigidity cab using viscous cab mounting for reduced noise.
- Sliding convex door facilitates easy entrance in confined areas and reduces the danger of being damaged on roadways because the door does not protrude when open.
- Komatsu's large cab meets ISO working space standards to provide secure, safe, and comfortable operation.

## Wide working ranges

Maximum digging height of the PC138US-2 is larger than that of the PC130-7. Raising the boom on the PC138US-2 to a wider angle enhances overall working performance. Job sites that require a long upper reach, such as demolition and slope cutting also benefit from the increased digging and dumping ranges of the PC138US-2.

## High mobility

Large drawbar pull and steering force display its ability when operating on a slope. The machine travel speed changes to Hi or Lo automatically at optimal points according to the travel load.

## High productivity and low fuel consumption

The powerful turbocharged and air-to-air aftercooled Komatsu SAA4D95LE-3 provides 66 kW/88 HP. The low emission engine meets EC Stage II emissions standards with increased power and machine productivity

## High stability

The PC138US-2 offers exceptional lifting capacity and high stability with a large counterweight that requires no additional clearance. The length of track on ground is 2,88 m.

## Strengthened track

with large diameter pin and bushing and high link-height increases the durability.



**NET HORSEPOWER**  
66 kW 88 HP

**OPERATING WEIGHT**  
13.480 - 14.880 kg

**BUCKET CAPACITY**  
max. 0,72 m<sup>3</sup>

### Safe operation

The PC138US-2's round form reduces the operator's need to constantly check behind him for movement, as he would with a conventional profile machine.

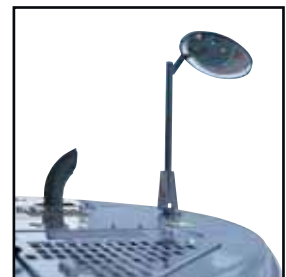


### Small road occupied width

Komatsu's PC138US-2 occupies a road width of 3,46 m or less. This allows the machine to work on either side of the lane without having to close both sides of the road.

### Rearview mirror

provides view under counterweight for improved safety.



### Additional counterweight

(Option)



### Aluminum oil cooler

provides excellent thermal conductivity, improving heat balance without increasing the fan speed, which contributes to reducing the noise level.



### Pump/engine room partition

This prevents hydraulic oil from spraying onto the engine to reduce the risk of fire.



# PRODUCTIVITY FEATURES

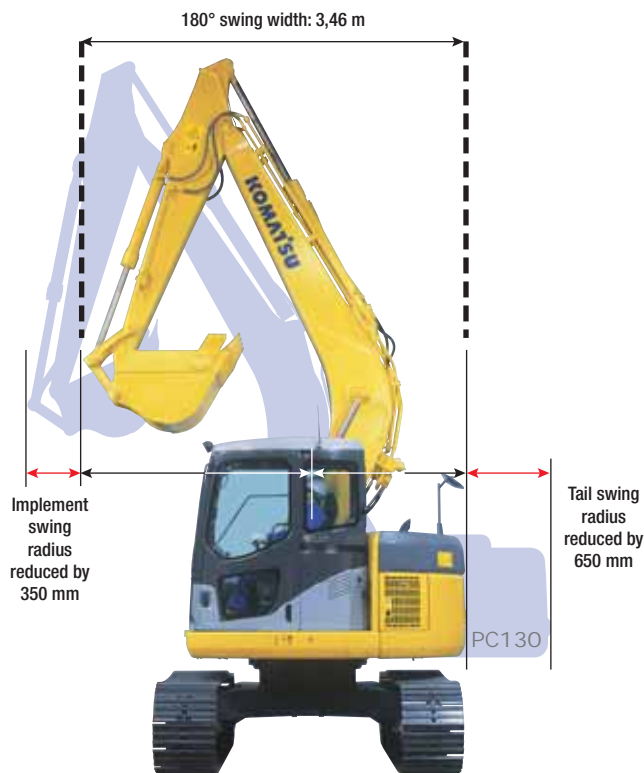
## Safe operation with small tail swing even in confined areas

### Short tail swing radius:

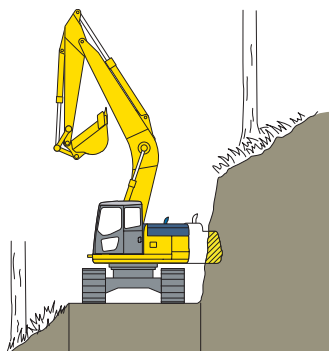
1,48 m – Because the tail of the PC138US-2 is more compact than conventional models, the PC138US-2 reduces the operator's need to check behind him for movement.

### Short implement swing radius:

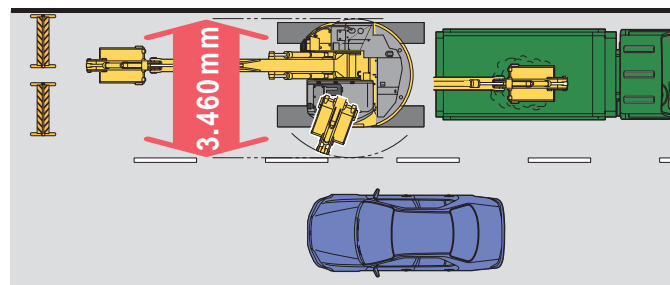
1,98 m – Boom raising angle of the PC138US-2 is larger than the PC130-7, while front implement protrusion is lessened.



## Logging road work



## Road and bridge work



## Easy operation

Working mode	Application	Advantage
A	Active mode	<ul style="list-style-type: none"> <li>• Maximum production/power</li> <li>• Fast cycle times</li> </ul>
E	Economy mode	<ul style="list-style-type: none"> <li>• Excellent fuel economy</li> <li>• Good cycle times</li> </ul>
B	Breaker mode	<ul style="list-style-type: none"> <li>• Optimum engine RPMs, hydraulic flow and pressure</li> </ul>



## Self-Diagnostic System

The PC138US-2 features one of the most advanced diagnostic systems in the industry. Komatsu's exclusive system identifies maintenance items, reduces diagnostic time, and helps you maintain maximum production.

## Excellent productivity

### Engine

The PC138US-2 gets its exceptional power and work capacity from the Komatsu SAA4D95LE-3 engine. Output is 66 kW (88 HP), giving you increased hydraulic power while improving fuel efficiency. The engine meets emissions regulations, including CARB, EPA, EC Stage II, and noise levels have been reduced for greater operator comfort.



Offset boom (option)

### Large digging force

The PC138US-2 has a large bucket digging force and arm crowd force.

	PC138US-2
Bucket digging force (ISO)	9.500 kgf
Arm crowd force (ISO)	6.300 kgf



Blade (option)

### High stability

The PC138US-2 offers exceptional lifting capacity and high stability with a large counterweight that requires no additional clearance.

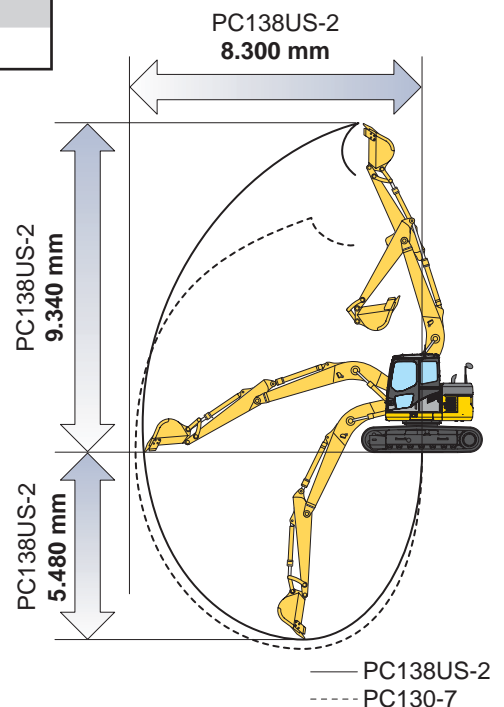
	PC138US-2	PC130-7
Lifting capacity*	1.370 kg	1.150 kg
Weight of counterweight	3.400 kg	2.400 kg

\* At maximum reach, ground level height and overside

### Wider working ranges

Raising the boom on the PC138US-2 to a wider angle enhances overall working performance. Job sites that require a long upper reach, such as demolition and slope cutting also benefit from the increased digging and dumping ranges of the PC138US-2.

	PC138US-2	PC130-7
Maximum digging height	9.340 mm	8.610 mm
Maximum digging depth	5.480 mm	5.520 mm
Maximum dumping height	6.840 mm	6.170 mm



# WORKING ENVIRONMENT

The PC138US-2 cab interior is spacious and provides a comfortable working environment...

## Operator's Cab

### Multi-position controls

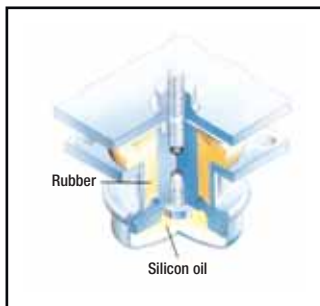
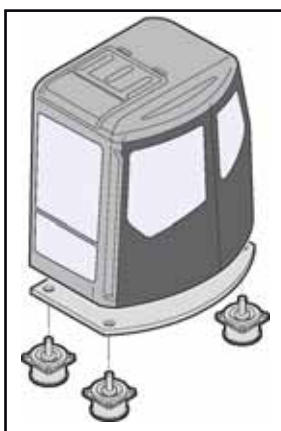
The multi-position, pressure proportional control levers allow the operator to work in comfort while maintaining precise control. A double-slide mechanism allows the seat and controllers to move together or independently, allowing the operator to position the controllers for maximum productivity and comfort.

### Low noise

Komatsu's low noise design uses a partition between the cab and engine room, an airtight valve room, and viscous cab mounts to reduce noise levels to 75 dB(A) at operator's ear.

### Sliding convex door

The sliding convex door facilitates easy entrance in confined areas while reducing the danger of being damaged on roadways because the door does not protrude when open.

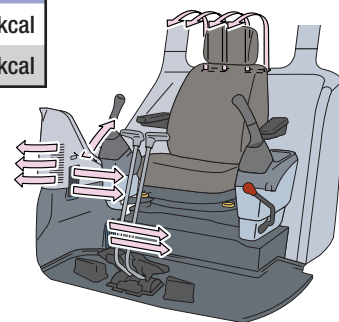


### Cab mount

The cab rests on viscous damping mounts to reduce vibration and noise from the machine body. Operator fatigue is reduced.



Capacities	
Cooling	6.900 kcal
Heating	5.200 kcal



### Large capacity air conditioning and heating unit

The bi-level controls provide cool air to the operator's head and warm air to the feet allowing comfort throughout the year. The defroster function keeps the front glass clear.

### Washable floor

The PC138US-2's floor is easy to keep clean. The gently inclined surface has a flanged floor mat and drainage holes to facilitate runoff.





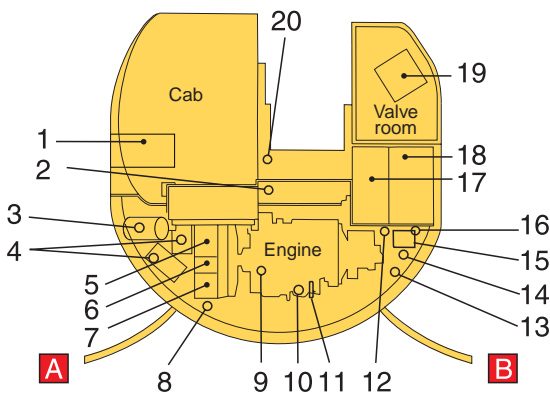
# MAINTENANCE FEATURES

## Easy maintenance

Komatsu designed the PC138US-2 to have easy service access. By doing so, routine maintenance and servicing are less likely to be skipped, which can mean a reduction in costly downtime later on. Here are some of the many service features found on the PC138US-2:

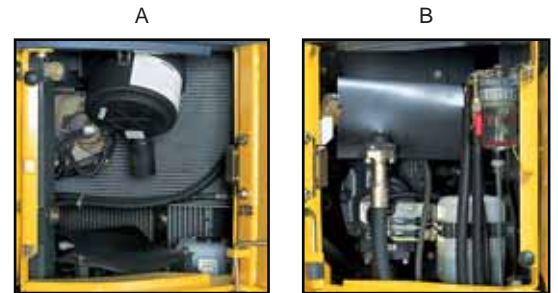
### Optimum maintenance layout

With the left and right side service doors, it is possible to access the major maintenance points from ground level. Furthermore, the fuel drain valve, engine oil filter, swing machinery oil filler, and PTO oil filler are remote mounted, facilitating easy maintenance.



1. Tool box
2. Swing machinery oil filler
3. Air cleaner
4. Batteries
5. Oil cooler
6. Aftercooler
7. Radiator
8. Windshield washer tank
9. Engine oil filler
10. Fuel filter

11. Engine oil dipstick
12. Engine oil filter
13. PTO oil filler
14. Fuel drain valve
15. Coolant reservoir tank
16. Water separator
17. Hydraulic oil tank
18. Fuel tank
19. Control valve
20. Swing machinery dipstick

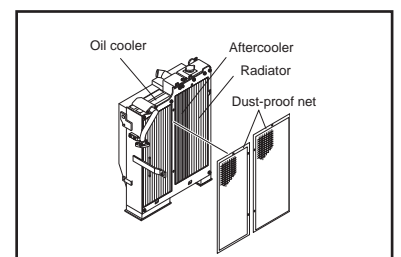


### New hydraulic filter element

The new hydraulic oil filter uses high performance filtering material for long element replacement intervals, which significantly reduces maintenance costs. The new hydraulic filter extends the element replacement interval to 1.000 hours and the hydraulic oil replacement interval to 5.000 hours. Its small size reduces waste material.

### Side-by-side cooling

The oil cooler, aftercooler and radiator are installed side by side. As a result, it is very easy to clean the radiator, etc. In addition, the operator can remove and install the aftercooler, radiator and oil cooler in a short time.



### Long greasing interval

Special hard material is used for the bushings of the work equipment to lengthen greasing interval. All bushing lubrication intervals of work equipment except arm top bushing are 500 hours, reducing maintenance costs.



A large tool box provides plenty of space. Grease pump storage space is also provided.

## Safety features

### Pump/engine room partition

This prevents hydraulic oil from spraying onto the engine to reduce the risk of fire.

### Boom holding valve

reduces hydraulic drift of the boom.



**Steps with non-skid surface and large handrail**  
Steps with non-slip surfacing ensure safer maintenance.

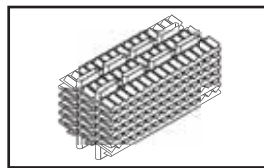
## Excellent reliability

### Double element air cleaner

A double element air cleaner is utilized to prevent dust from entering the engine.

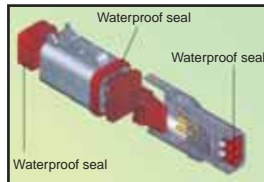
### Metal guard rings

Metal guard rings protect all of the hydraulic cylinders, and improve reliability.



### Wave fin radiator

A high cooling efficiency wave fin is used on the radiator.



### DT connector

Water-resistant DT connectors are used in the electrical harness for improved reliability.



### Face seals

O-ring face seals having high sealing performance are used for the hydraulic piping joints.



# SPECIFICATIONS



## ENGINE

Model.....Komatsu SAA4D95LE-3  
 Type..... 4-cycle, direct injection, water-cooled, emissionised, turbocharged, after-cooled diesel  
 Rated capacity..... 66 kW/88 HP (ISO 9249 Net) at engine speed ..... 2.200 rpm  
 No. of cylinders ..... 4  
 Bore x stroke ..... 95 x 115 mm  
 Displacement..... 3,26 ltr  
 Starting motor..... 4,5 kW  
 Alternator..... 35 A/24 V  
 Battery ..... 80 Ah/2 x 12 V  
 Air filter type.....Double element type with monitor panel dust indicator and auto dust evacuator



## HYDRAULIC SYSTEM

Type..... HydrauMind. Closed-centre system with load sensing and pressure compensation valves  
 Main pump..... Variable-capacity piston pump  
 Pumps for ..... Boom, arm, bucket, swing, and travel circuits  
 Maximum pump flow.....226 ltr/min  
 Hydraulic motors:  
 Travel..... 2 x axial piston motor with parking brake  
 Swing ..... 1 x axial piston motor with swing holding brake  
 Relief valve settings:  
 Implement .....325 kg/cm<sup>2</sup>  
 Travel.....355 kg/cm<sup>2</sup>  
 Swing .....310 kg/cm<sup>2</sup>  
 Pilot.....30 kg/cm<sup>2</sup>  
 Hydraulic cylinders (No. of cylinders – bore x stroke):  
 Boom..... 2 – 105 mm x 1.055 mm  
 Arm ..... 1 – 115 mm x 1.175 mm  
 Bucket..... 1 – 100 mm x 885 mm



## OPERATING WEIGHT (APPR.)

Operating weight including 4.600 mm one-piece boom, 2.500 mm arm, SAE heaped 0,5 m<sup>3</sup> backhoe bucket, rated capacity of lubricants, coolant, full fuel tank and standard equipment.

Shoes	Operating weight	Ground pressure
500 mm	13.480 kg	0,43 kg/cm <sup>2</sup>
600 mm	13.670 kg	0,36 kg/cm <sup>2</sup>
700 mm	13.850 kg	0,31 kg/cm <sup>2</sup>

Additional weight with blade: + 900 kg  
 Additional weight with 500 mm road-liner: + 130 kg

BUCKET AND ARM COMBINATION				Arm length		
Width	Capacity SAE	Weight	No of teeth	2,1 m	2,5 m	3,0 m
500 mm	0,25 m <sup>3</sup>	325 kg	3	○	○	○
600 mm	0,32 m <sup>3</sup>	350 kg	3	○	○	○
800 mm	0,48 m <sup>3</sup>	440 kg	4	○	○	○
900 mm	0,56 m <sup>3</sup>	475 kg	4	○	○	–
1.000 mm	0,64 m <sup>3</sup>	505 kg	5	□	□	–
1.100 mm	0,72 m <sup>3</sup>	560 kg	5	□	–	–

○ General digging    □ Light-duty operation    – Not usable



## SWING SYSTEM

Type..... Hydraulic motor  
 Swing reduction.....Planetary gear  
 Swing circle lubrication..... Grease-bathed  
 Swing lock ..... Wet, multiple-disc brake  
 Swing speed.....0 - 10,5 rpm



## DRIVES AND BRAKES

Steering control .....2 levers with pedals  
 Drive method ..... Fully hydrostatic  
 Max. drawbar pull ..... 12.500 kgf  
 Max. travel speeds  
 Lo / Hi..... 2,9 / 5,1 km/h



## UNDERCARRIAGE

Construction .....X-frame centre section with box section track-frames  
 Track assembly  
 Type..... Fully sealed  
 Shoes (each side) ..... 43  
 Tension..... Hydraulic  
 Rollers  
 Track rollers (each side) ..... 7  
 Carrier rollers (each side) ..... 1



## COOLANT AND LUBRICANT CAPACITY (REFILLING)

Fuel tank..... 200 ltr  
 Radiator ..... 18,2 ltr  
 Engine ..... 17 ltr  
 Final drive (each side) ..... 2,5 ltr  
 Swing drive ..... 2,5 ltr  
 Hydraulic tank ..... 69,0 ltr



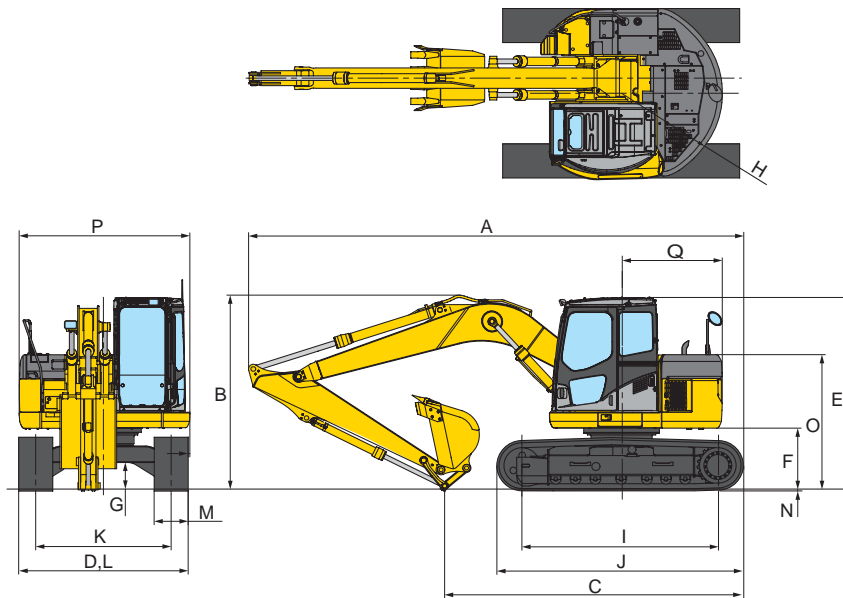
## ENVIRONMENT

Engine emissions ..... Fully complies with EC Stage II exhaust emission regulations  
 Noise levels  
 LwA external ..... 100 dB(A) (2000/14/EC Stage 2)  
 LpA operator ear ..... 75 dB(A) (ISO 6369 dynamic test)

# DIMENSIONS

## MONO BOOM

DIMENSIONS		MONO BOOM
E	Overall height (to top of cab)	2.815 mm
F	Ground clearance, counterweight	900 mm
G	Minimum ground clearance	395 mm
H	Tail swing radius	1.480 mm
I	Length of track on ground	2.880 mm
J	Track length	3.610 mm
K	Track gauge	1.990 mm
L	Width of crawler	2.490 mm
M	Shoe width	500 mm
N	Grouser height	20 mm
O	Machine tail height (counterweight)	1.980 mm
P	Upper structure width	2.515 mm
Q	Distance, swing center to rear end	1.480 mm

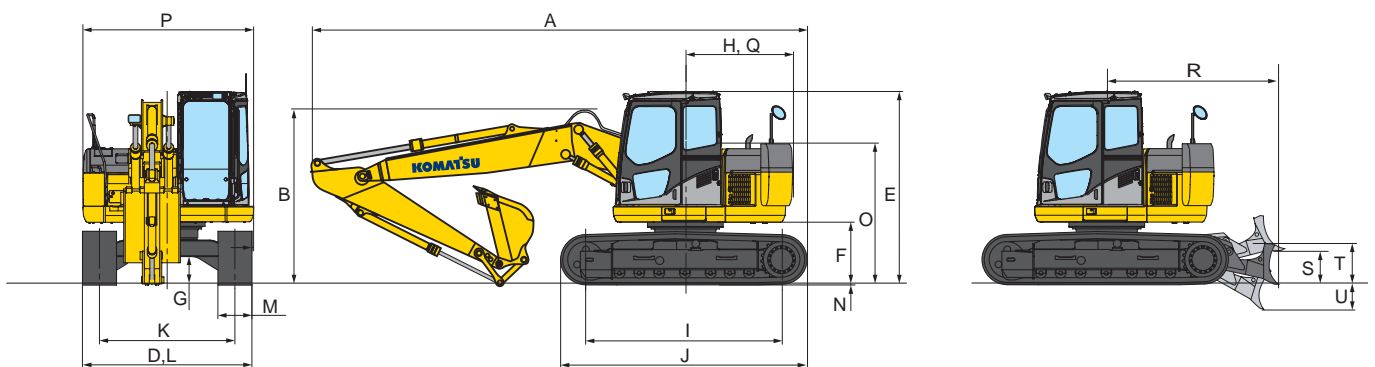


MONO BOOM		ARM LENGTH		
		2.100 mm	2.500 mm	3.000 mm
A	Transport length	7.225 mm	7.260 mm	7.120 mm
B	Overall height (to top of boom)	2.630 mm	2.850 mm	3.190 mm
C	Length on ground (transport)	4.510 mm	4.425 mm	4.220 mm

# DIMENSIONS

## TWO-PIECE BOOM

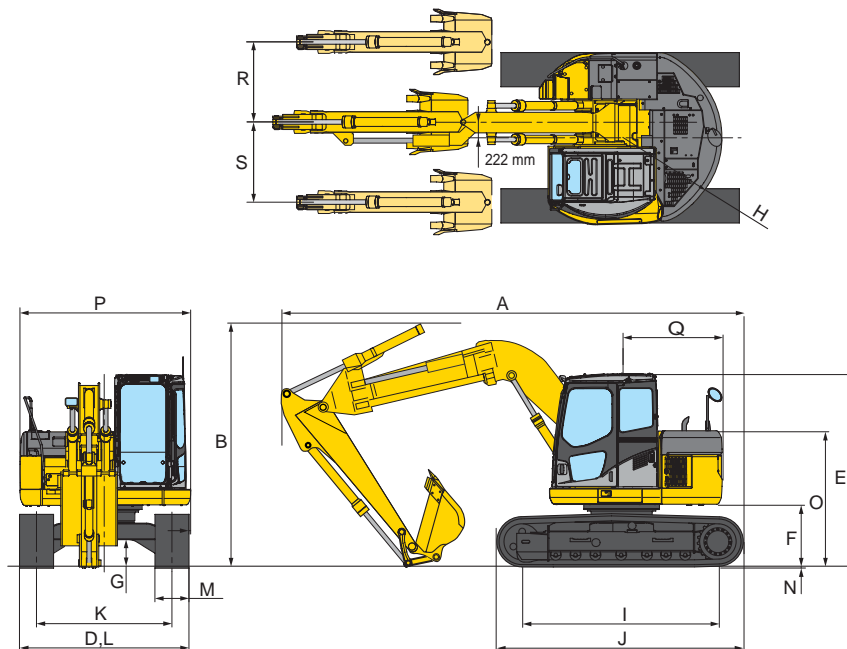
DIMENSIONS		TWO-PIECE BOOM
E	Overall height (to top of cab)	2.815 mm
F	Ground clearance, counterweight	900 mm
G	Minimum ground clearance	395 mm
H	Tail swing radius	1.480 mm
I	Length of track on ground	2.880 mm
J	Track length	3.610 mm
K	Track gauge	1.990 mm
L	Width of crawler	2.490 mm
M	Shoe width	500 mm
N	Grouser height	20 mm
O	Machine tail height (counterweight)	1.980 mm
	Machine tail height (counterweight) (with add. counterweight)	2.070 mm
P	Upper structure width	2.515 mm
Q	Distance, swing center to rear end	1.480 mm
	Distance, swing center to rear end (with add. counterweight)	1.545 mm
R	Distance, swing center to blade	2.480 mm
S	Blade, max. lifting height	590 mm
T	Height of blade	470 mm
U	Blade, max. digging depth	525 mm
	Blade width	2.510 mm



TWO-PIECE BOOM		ARM LENGTH	
		2.100 mm	2.500 mm
A	Transport length	7.185 mm	7.195 mm
B	Overall height (to top of hose)	3.025 mm	3.110 mm

# OFFSET BOOM

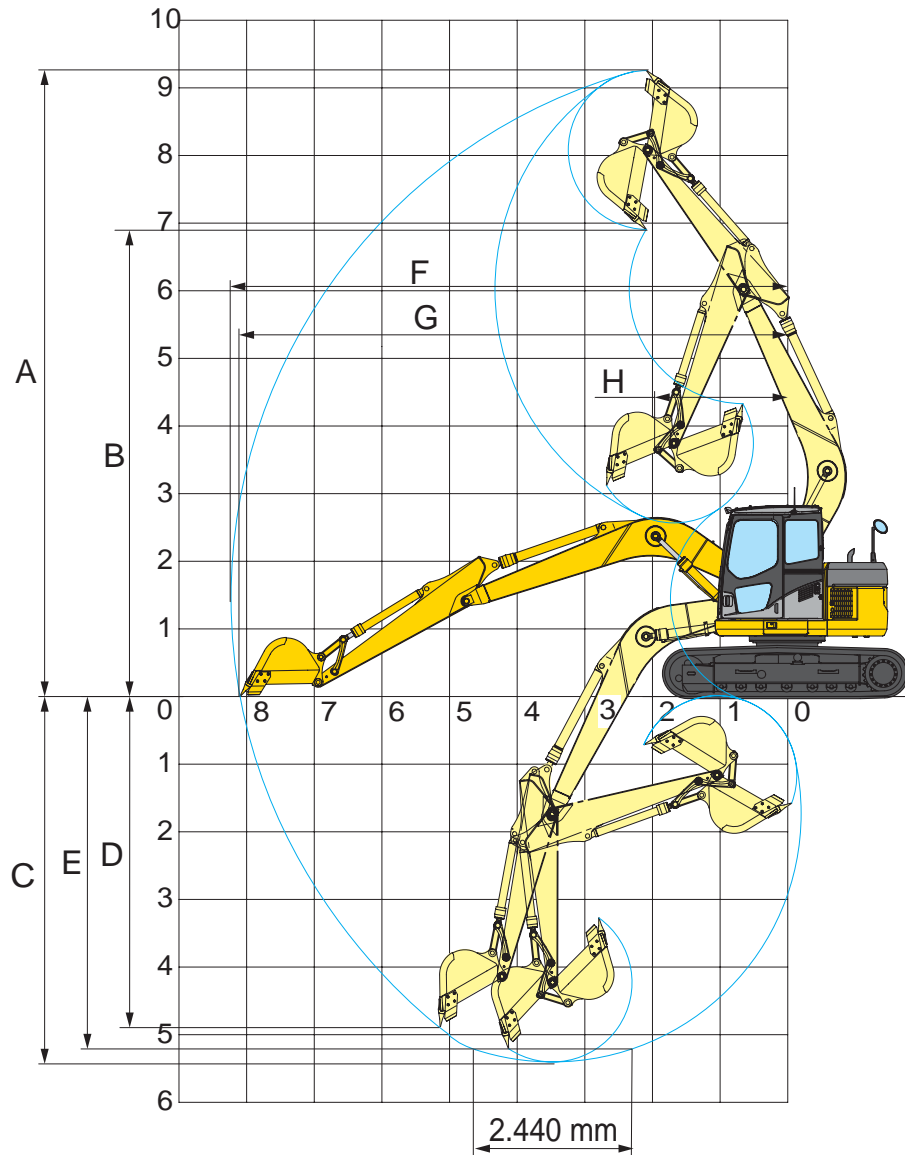
DIMENSIONS		OFFSET BOOM
E	Overall height (to top of cab)	2.815 mm
F	Ground clearance, counterweight	900 mm
G	Minimum ground clearance	395 mm
H	Tail swing radius	1.480 mm
I	Length of track on ground	2.880 mm
J	Track length	3.610 mm
K	Track gauge	1.990 mm
L	Width of crawler	2.490 mm
M	Shoe width	500 mm
N	Grouser height	20 mm
O	Machine tail height (counterweight)	1.980 mm
P	Upper structure width	2.515 mm
Q	Distance, swing center to rear end	1.480 mm
R	Boom offset, right hand	1.149 mm
S	Boom offset, left hand	1.168 mm



OFFSET BOOM		ARM LENGTH	
		2.100 mm	2.500 mm
A	Transport length	7.525 mm	7.440 mm
B	Overall height (to top of boom) (without bucket)	2.905 mm	3.245 mm
B	Overall height (to top of boom) (with bucket)	3.185 mm	3.505 mm

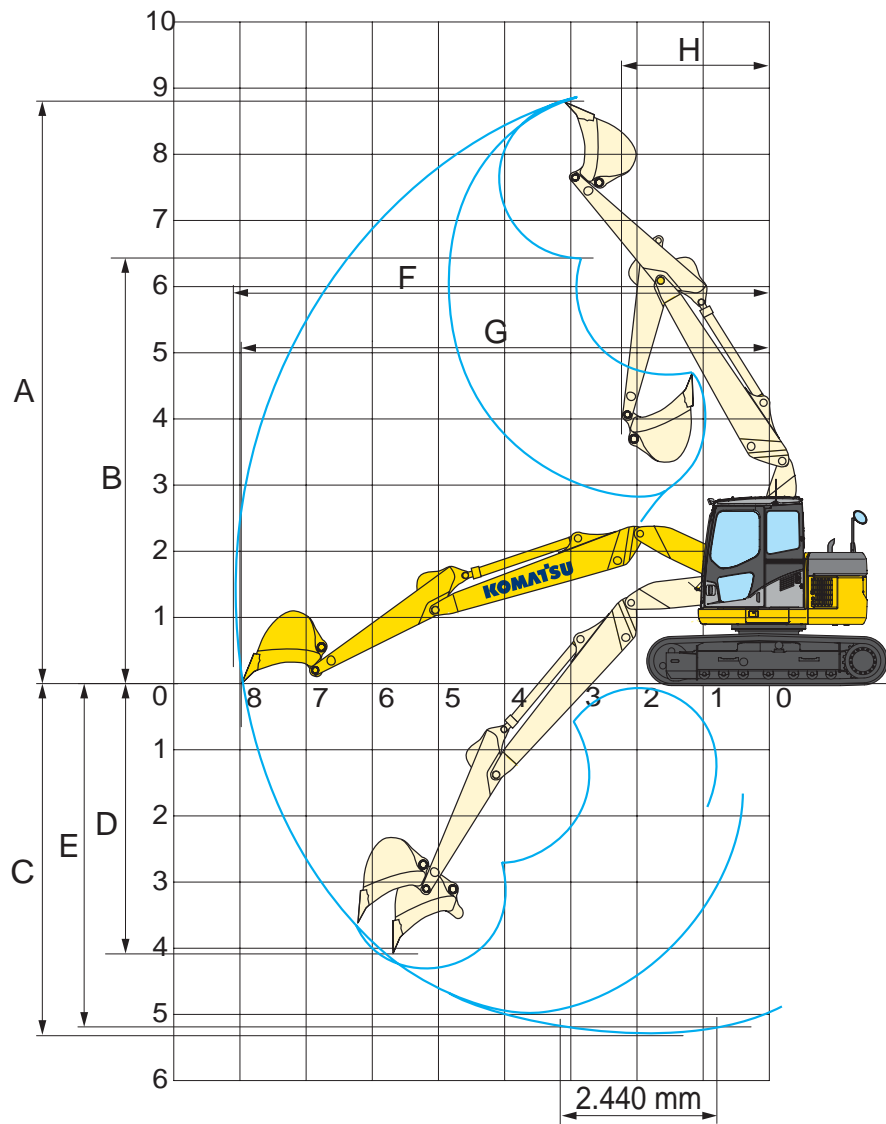
# WORKING RANGE

## MONO BOOM



ARM LENGTH		2.100 mm	2.500 mm	3.000 mm
A	Max. digging height	9.020 mm	9.340 mm	9.700 mm
B	Max. dumping height	6.525 mm	6.840 mm	7.350 mm
C	Max. digging depth	5.070 mm	5.480 mm	5.900 mm
D	Max. vertical wall digging depth	4.490 mm	4.900 mm	5.340 mm
E	Max. digging depth of cut for 2,44 m level	4.765 mm	5.195 mm	5.720 mm
F	Max. digging reach	7.930 mm	8.300 mm	8.720 mm
G	Max. digging reach at ground level	7.805 mm	8.180 mm	8.600 mm
H	Min. swing radius	1.845 mm	1.980 mm	2.250 mm
	Bucket digging force (ISO)	9.000 kgf	9.500 kgf	9.000 kgf
	Arm crowd force (ISO)	7.300 kgf	6.300 kgf	5.700 kgf
	Bucket digging force (SAE)	7.950 kgf	8.300 kgf	7.950 kgf
	Arm crowd force (SAE)	7.100 kgf	6.200 kgf	5.550 kgf

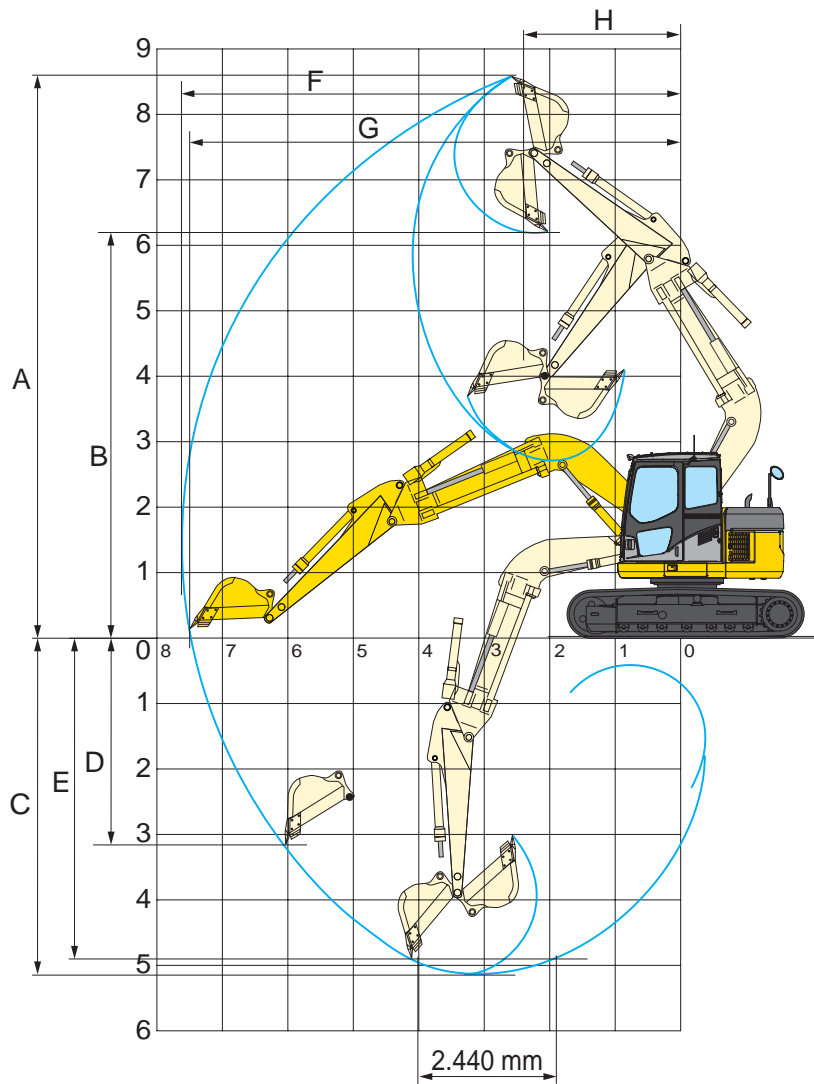
## TWO-PIECE BOOM



ARM LENGTH		2.100 mm	2.500 mm
A	Max. digging height	8.845 mm	9.130 mm
B	Max. dumping height	6.465 mm	6.750 mm
C	Max. digging depth	5.280 mm	5.680 mm
D	Max. vertical wall digging depth	4.065 mm	4.445 mm
E	Max. digging depth of cut for 2,44 m level	5.165 mm	5.570 mm
F	Max. digging reach	8.135 mm	8.510 mm
G	Max. digging reach at ground level	8.000 mm	8.335 mm
H	Min. swing radius	2.430 mm	2.505 mm

# WORKING RANGE

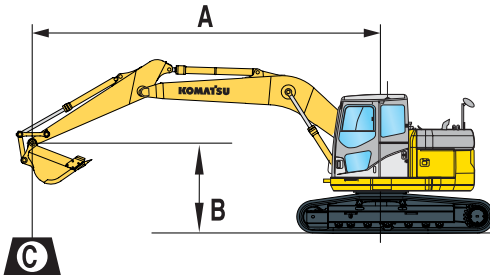
## OFFSET BOOM



ARM LENGTH		2.500 mm
A	Max. digging height	8.500 mm
B	Max. dumping height	6.185 mm
C	Max. digging depth	5.120 mm
D	Max. vertical wall digging depth	3.170 mm
E	Max. digging depth of cut for 2,44 m level	4.810 mm
F	Max. digging reach	7.610 mm
G	Max. digging reach at ground level	7.470 mm
H	Min. swing radius	2.415 mm

# LIFTING CAPACITY

## MONO BOOM



- A – Reach from swing center
- B – Bucket hook height
- C – Lifting capacities

When removing bucket, linkage or cylinder, lifting capacities can be increased by their respective weights.

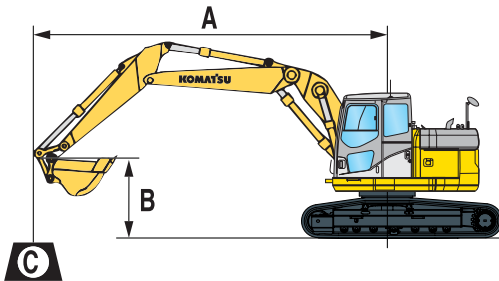
- Rating over front
- Rating over side
- Rating at maximum reach

Arm length	A			7,0 m		6,0 m		4,5 m		3,0 m		1,5 m		
With 500 mm shoe  450 kg 0,5 m <sup>3</sup>	6,0 m	kg	*1.620	*1.620				*2.810	*2.810					
	4,5 m	kg	*1.510	1.480			*2.880	1.930	*3.040	*3.040				
	3,0 m	kg	*1.530	1.260	2.240	1.380	2.960	1.870	*3.730	3.090	*4.970	*4.970		
	1,5 m	kg	*1.630	1.170	2.190	1.330	2.850	1.770	*4.600	2.850	*7.270	5.430		
	0,0 m	kg	*1.860	1.180	2.130	1.280	2.750	1.680	4.380	2.650	*7.350	4.990		
	-1,5 m	kg	2.190	1.310			2.690	1.620	4.270	2.550	*8.020	4.870	*4.070	*4.070
	-3,0 m	kg	2.740	1.660					4.270	2.550	*6.770	4.920	*6.870	*6.870
	-4,5 m	kg	*2.500	*2.500							*4.180	*4.180		
With 500 mm shoe  450 kg 0,5 m <sup>3</sup>	6,0 m	kg	*2.060	*2.060				*3.270	3.220					
	4,5 m	kg	*1.920	1.730			*2.890	1.890	*3.460	3.200	*3.960	*3.960		
	3,0 m	kg	*1.950	1.450			2.940	1.860	*4.140	3.050	*5.870	*5.870		
	1,5 m	kg	*2.120	1.350			2.850	1.780	4.590	2.840	*7.960	5.330		
	0,0 m	kg	2.250	1.370			2.780	1.710	4.300	2.580	*6.750	5.030		
	-1,5 m	kg	2.540	1.550			2.740	1.680	4.340	2.620	*7.740	4.990	*4.710	*4.710
	-3,0 m	kg	*3.130	2.060					*4.160	2.650	*6.140	5.090	*8.310	*8.310
	-4,5 m	kg												
With 500 mm shoe  450 kg 0,5 m <sup>3</sup>	6,0 m	kg	*2.620	*2.620				*3.530	3.150	*3.860	*3.860			
	4,5 m	kg	*2.420	1.950				*3.780	3.150	*4.560	*4.560			
	3,0 m	kg	*2.460	1.610			2.910	1.830	*4.420	3.000	*6.530	5.820		
	1,5 m	kg	2.410	1.490			2.840	1.770	4.550	2.810				
	0,0 m	kg	2.480	1.520			2.780	1.710	4.260	2.560	*6.240	5.000		
	-1,5 m	kg	2.850	1.750					4.230	2.530	*7.300	5.020	*5.280	*5.280
	-3,0 m	kg	*3.190	2.430					*3.660	2.700	*5.440	5.150		
	-4,5 m	kg												

\* Load is limited by hydraulic capacity rather than tipping.  
 Ratings are based on SAE Standard No. J1097.  
 Rated loads do not exceed 87% of hydraulic lift capacity or 75% of tipping load.

# LIFTING CAPACITY

## TWO-PIECE BOOM

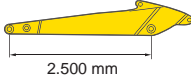



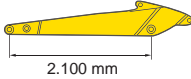

- A – Reach from swing center
- B – Bucket hook height
- C – Lifting capacities

When removing bucket, linkage or cylinder, lifting capacities can be increased by their respective weights.

- Rating over front
- Rating over side
- Rating at maximum reach

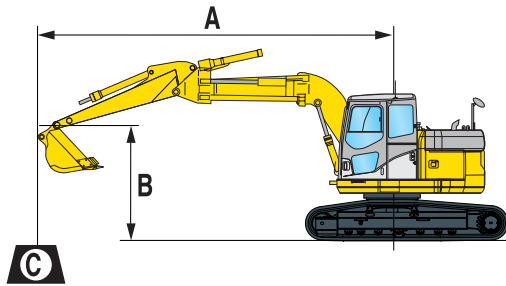
Arm length	A	B			7,0 m		6,0 m		4,5 m		3,0 m		1,5 m	

With 500 mm shoe	Arm length	kg			7,0 m		6,0 m		4,5 m		3,0 m		1,5 m	
 2.500 mm  450 kg 0,5 m <sup>3</sup>	7,5 m	kg	*2.250	*2.250					*2.650	*2.650				
	6,0 m	kg	*1.800	1.800			*2.400	1.900	*3.050	*3.050				
	4,5 m	kg	*1.700	1.350			3.050	1.900	*3.400	3.200				
	3,0 m	kg	*1.650	1.150	*1.750	1.150	3.000	1.850	*4.200	3.000	*5.800	*5.800		
	1,5 m	kg	*1.750	1.100	1.950	1.150	2.900	1.700	4.600	2.750	*7.800	5.100		
	0,0 m	kg	1.900	1.100	1.900	1.100	2.750	1.650	4.350	2.550	*5.450	4.700		
	-1,5 m	kg	2.100	1.200			2.700	1.550	4.250	2.450	*7.700	4.600	*3.600	*3.600
	-3,0 m	kg	2.600	1.500			2.750	1.600	4.300	2.450	*7.600	4.700		
	-4,5 m	kg												

With 500 mm shoe	Arm length	kg			7,0 m		6,0 m		4,5 m		3,0 m		1,5 m	
 2.100 mm  450 kg 0,5 m <sup>3</sup>	7,5 m	kg	*2.900	*2.900					*3.400	3.150				
	6,0 m	kg	*2.250	2.000					*3.700	3.100				
	4,5 m	kg	*2.050	1.500			3.000	1.850	*3.700	3.100				
	3,0 m	kg	*2.050	1.250			2.950	1.800	*4.500	2.900	*6.550	5.650		
	1,5 m	kg	2.050	1.150			2.850	1.700	4.550	2.700	*4.600	*4.600		
	0,0 m	kg	2.050	1.200			2.750	1.600	4.350	2.500	*4.800	4.600		
	-1,5 m	kg	2.300	1.350			2.700	1.550	4.250	2.450	*8.150	4.600		
	-3,0 m	kg	2.950	1.750					4.300	2.500	*6.950	4.700		
	-4,5 m	kg												

\* Load is limited by hydraulic capacity rather than tipping.  
 Ratings are based on SAE Standard No. J1097.  
 Rated loads do not exceed 87% of hydraulic lift capacity or 75% of tipping load.

# OFFSET BOOM



- A – Reach from swing center
- B – Bucket hook height
- C – Lifting capacities

When removing bucket, linkage or cylinder, lifting capacities can be increased by their respective weights.

- Rating over front
- Rating over side
- Rating at maximum reach

Arm length	A			6,1 m		5,5 m		4,0 m		3,0 m		
With 500 mm shoe  2.500 mm  450 kg 0,5 m <sup>3</sup>	6,0 m	kg	*2.310	*2.310					*2.850	*2.850	*3.130	*3.130
	4,5 m	kg	*2.210	*2.210					*3.320	*3.320	*3.470	*3.470
	3,0 m	kg	*2.350	1.760			3.290	2.150	*4.150	3.820	*5.050	*5.050
	1,5 m	kg	2.470	1.560	2.610	1.650	3.130	2.000	*5.240	3.400	*7.110	5.130
	0 m	kg	2.500	1.550	2.510	1.560	2.980	1.860	5.060	3.090	7.940	4.630
	-1,5 m	kg	2.890	1.790			2.920	1.800	4.930	2.970	*7.510	4.520
	-3,0 m	kg	*4.100	2.660					*4.580	3.030	*5.950	4.640
With 500 mm shoe  2.100 mm  450 kg 0,5 m <sup>3</sup>	6,0 m	kg	*2.710	*2.710							*3.550	*3.550
	4,5 m	kg	*2.600	2.550					*3.600	*3.600	*3.880	*3.880
	3,0 m	kg	*2.820	1.920			3.240	2.100	*4.410	3.730	*5.490	*5.490
	1,5 m	kg	2.680	1.690			3.090	1.960	5.340	3.330	*7.420	4.980
	0 m	kg	2.720	1.690			2.960	1.840	5.020	3.050	*7.930	4.570
	-1,5 m	kg	3.230	1.990					4.930	2.970	*7.260	4.530
	-3,0 m	kg	*4.320	3.240							*5.420	4.700

\* Load is limited by hydraulic capacity rather than tipping.  
 Ratings are based on SAE Standard No. J1097.  
 Rated loads do not exceed 87% of hydraulic lift capacity or 75% of tipping load.

# HYDRAULIC EXCAVATOR



## STANDARD EQUIPMENT

- Komatsu SAA4D95LE-3 66 kW direct injection emissionised Stage II intercooled turbocharged engine
- Alternator 35 A/24 V
- Batteries 80 Ah/2 x 12 V
- Starter motor 4,5 kW
- Air cleaner, double element with auto dust evacuation
- Track frame undercover
- Cooling fan, mixed flow with fan guard
- Dustproof net for radiator and oil cooler
- Pump/engine partition cover
- Counterweight 3.400 kg
- Auto-deceleration function
- Hydraulic control unit (1 additional actuator)
- Overload warning device
- Cab which includes: antenna, floor mat, intermittent front windshield wiper and washer, large ceiling hatch, pull-up front window, removable lower windshield, sliding rear window, sliding seat
- Sliding door
- Air conditioning
- Monitor panel
- Light, one front
- Rearview mirror
- Standard shoes: 500 mm triple grouser shoes
- Swing holding brake

## OPTIONAL EQUIPMENT

- Mono boom
- Two-piece boom
- Offset boom
- Additional counterweight 500 kg
- 2,1 m; 2,5 m; 3,0 m arm
- Arm safety valve
- Shoes: 600 mm triple grouser shoes  
700 mm triple grouser shoes  
500 mm rubber pad (road liner)
- Blade assembly

## KOMATSU®

**Komatsu Europe  
International NV**

Mechelsesteenweg 586  
B-1800 VILVOORDE (BELGIUM)  
Tel. +32-2-255 24 11  
Fax +32-2-252 19 81  
[www.komatsueurope.com](http://www.komatsueurope.com)

UESS005701 01/2006

Materials and specifications are subject to change without notice.  
**KOMATSU®** is a trademark of Komatsu Ltd. Japan.