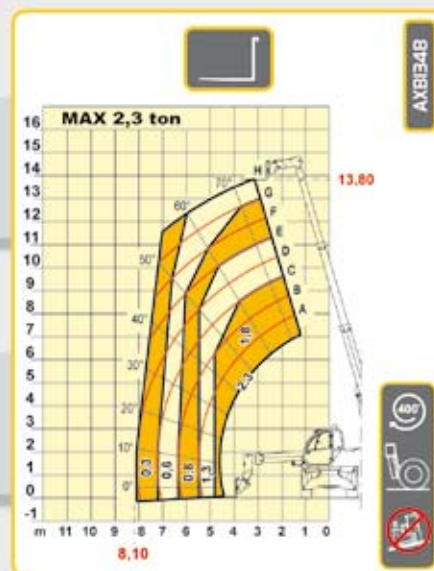
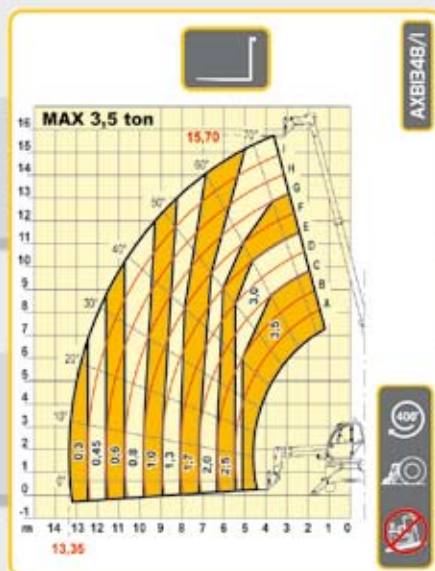
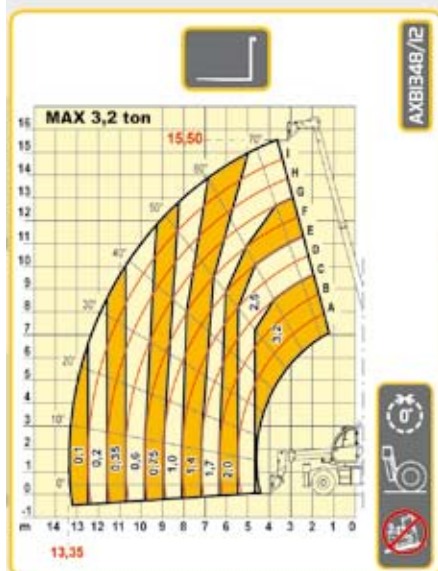


A large, detailed wireframe graphic of a mechanical component, possibly a roller or a part of a conveyor system, dominates the left and center of the page. The lines are thin and grey, creating a complex, three-dimensional mesh structure. The component has a curved, cylindrical shape with various internal and external features, including what appears to be a central hub or bearing area.

d *macchine edili ed agricole*
DIECI

Pegasus 35.16

Pegasus 35.16



PERFORMANCES

Maximum capacity:	3.500 kg
Capacity at maximum height on stabilizers:	2.000 kg
Capacity at maximum height on tyres:	1.700 kg
Capacity at maximum boom extension on stabilizers:	300 kg
Capacity at maximum boom extension on tyres:	300 kg
Maximum lifting height on stabilizers:	15,70 m
Maximum lifting height on tyres:	13,80 m
Maximum horizontal boom extension:	13,35 m
Boom extension at maximum height:	3,70 m
Fork tilting angle:	134°
Tearing force:	5.700 daN
Towing force:	7.300 daN
Maximum allowable slope:	40 %
Total empty weight:	13.100 kg
Max speed:	30 km/h



TRANSMISSION

Transmission:..... Hydrostatic with variable capacity pump
 Hydraulic engine:..... with automatic adjustment
 Reversing gear:..... Electro - hydraulic
 Inching pedal for controlled forward movement
 Servocontrolled 2 speed gearbox



HYDRAULIC SYSTEM

Gear pump with capacity at max speed:..... 100 l/l'
 Max working pressure:..... 230 bar
 Control distributor with joystick:..... 5 in 1 proportional



DIFFERENTIAL AXLES

Steering axles:..... 2, with planetary reduction gears
 Type of steering:..... 4 wheels / transversal / 2 wheels
 Front axle:..... levelling
 Rear axle:..... oscillating (can be blocked)
 Service brake:..... oil bath on the 4 wheels with double hydraulic system and servo brake

Negative parking brake.



ENGINE

IVECO NEF F4GE0454A - TC - 74 kW ENGINE
 Maximum power:..... 74 kW (102 HP) at 2300 rpm
 Operating principle:..... four-stroke, diesel engine
 Cylinder number and layout:..... 4, vertical in line
 Displacement:..... 4485 cm³ -Turbo compressor
 Cooling system:..... water



REFUELLING (litre)

Hydraulic system (total):..... 245
 Fuel tank:..... 126



STANDARD DEVICES

Hydraulic movements with proportional control distributor .
 Anti-tipping device with block for hazardous movements.
 Turret rotation 400°.
 Oscillation block on rear axle.
 Hydraulic socket for possible accessories on boom head.
 Closed soundproof FOPS approved driver's cab, with heating.
 Stabilizers.



TYRES

Tyres:..... 16/70/20"



OPTIONALS AND ACCESSORIES

Optionals and Accessories:..... see the relevant catalogue.

Kısıklı Cad. Şehit Teğmen İsmail Moray Sokak
 No: 2/1 34662 Altunizade / İSTANBUL
 Tel: 0216 544 58 01 - 02 Faks: 0216 340 77 40 - 41
 www.dieci.com.tr
 dieci@temsaglobal.com